

## Standard version made with rare earth magnets

## Dimensions

- øA** = Outer diameter  
**øB** = Clamp collar OD  
**øD1 H7** = Bore diameter  
**øD2 H7** = Bore diameter  
**C** = Clamp collar width  
**K** = Clamp screw centerline  
**I** = Clamping screw  
**L** = Minimum coupling length  
 (will vary with adjustment range V)  
**C1, C2** = Tolerances



## Dimensions

Size	L	ø B	I	K	ø A	ø D1 H7	C1	ø D2 H7	C2	C
	Inch	Inch	mm	Inch	Inch	Inch	Inch	Inch	Inch	Inch
2	2.165	0.945	M3	0.354	1.220	0.1181-0.3937	+0.0005 -0	0.1181-0.3937	+0.0005 -0	0.323
4	2.283	1.260	M4	0.453	1.496	0.2362-0.6299	+0.0006 -0	0.2362-0.6299	+0.0006 -0	0.394
10	2.283	1.575	M4	0.610	1.811	0.2362-0.7480	+0.0006 -0	0.2362-0.7480	+0.0006 -0	0.394
18	3.071	1.772	M5	0.689	2.008	0.3937-0.7874	+0.0007 -0	0.3937-0.7874	+0.0007 -0	0.472
30	3.465	1.850	M6	0.630	2.205	0.3937-0.7874	+0.0007 -0	0.3937-0.7874	+0.0007 -0	0.591
60	4.213	2.244	M8	0.787	2.638	0.5511-0.9055	+0.0007 -0	0.5511-0.9055	+0.0007 -0	0.768
150	5.118	2.677	M10	0.945	3.307	0.787-1.102	+0.001 -0	0.787-1.102	+0.001 -0	0.846
300	5.748	3.780	M12	1.260	4.528	1.260-1.575	+0.001 -0	1.260-1.575	+0.001 -0	1.024

Other dimensions on request

## Ordering Example:

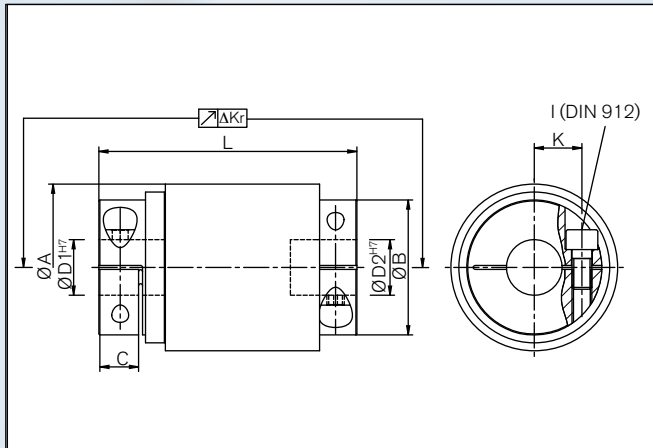
**MKD 30**

Series	Size	ø D1	ø D2	Further details*
MKD	30	15 <sup>H7</sup>	12 <sup>H7</sup>	XX

\* e.g. stainless, modified torque

# Series MKD

This coupling consists of two separate halves and must be supported by the customer!



Sectional view

## Technical Data

- M<sub>max</sub>** = Torque; other torque values on request; torque adjustable by extending hub; specified torque ± 5% tolerance
- C<sub>Tdyn</sub>** = Dynamic torsional stiffness
- J** = Moment of inertia
- ΔKr** = Max. approved misalignment radial; Higher misalignments on request
- n<sub>max</sub>** = Max. mechanical rotating speed
- MA** = Tightening torque of clamping screws
- V** = Adjustment range

## Technical Data

Size	V	Δ Kr	C <sub>Tdyn</sub>	M <sub>max</sub>	MA	n <sub>max</sub>	Outer rotor	Inner rotor	J <sub>outer</sub>	J <sub>inner</sub>
							Weight	Weight		
	Inch	Inch	lb-in/rad	lb-in	lb-in	rpm	lbs	lbs	lb-in <sup>2</sup>	lb-in <sup>2</sup>
2	0.787	0.016	27	11	18	10000	0.2	0.2	0.06	0.017
4	0.787	0.016	89	22	27	9000	0.3	0.2	0.13	0.048
10	0.787	0.016	221	44	27	8000	0.4	0.4	0.27	0.14
18	1.181	0.016	398	80	53	7000	0.6	0.5	0.48	0.24
30	1.181	0.016	735	115	106	6000	0.8	0.6	0.72	0.34
60	1.575	0.016	2213	266	266	5000	1.5	1.2	2.05	1.03
150	1.969	0.016	5399	531	443	4000	4.2	3.1	6.15	5.47
300	2.362	0.016	20355	1328	797	3000	7.5	6.8	22.89	17.08

## Range of applications

- As safety clutch
- Other applications that require high torque demands and limited dimensions



**Weitere technische Hinweise befinden sich im jeweiligen Katalog.**

Alle technischen Daten und Hinweise sind unverbindlich. Rechtsansprüche können daraus nicht abgeleitet werden. Der Anwender ist grundsätzlich verpflichtet zu prüfen, ob die dargestellten Produkte seinen Anforderungen genügen. Änderungen, die dem technischen Fortschritt dienen, behalten wir uns jederzeit vor. Mit Erscheinen dieses Kataloges werden alle älteren Prospekte und Fragebögen zu den gezeigten Produkten ungültig.

**Check out the respective catalogue for further technical details**

*All technical details and information is non-binding and cannot be used as a basis for legal claims. The user is obligated to determine whether the represented products meet his requirements. We reserve the right at all times to carry out modifications in the interests of technical progress. Upon the issue of this catalogue all previous brochures and questionnaires on the products displayed are no longer valid.*

#### **RINGFEDER POWER TRANSMISSION GMBH**

Werner-Heisenberg-Straße 18, D-64823 Groß-Umstadt, Germany · Phone: +49 (0) 6078 9385-0 · Fax: +49 (0) 6078 9385-100  
E-mail: sales.international@ringfeder.com · E-mail: sales.international@gerwah.com

#### **RINGFEDER POWER TRANSMISSION USA CORPORATION**

165 Carver Avenue, P.O. Box 691 Westwood, NJ 07675, USA · Toll Free: +1 888 746-4333 · Phone: +1 201 666 3320  
Fax: +1 201 664 6053 · E-mail: sales.usa@ringfeder.com · E-mail: sales.usa@gerwah.com

#### **RINGFEDER POWER TRANSMISSION INDIA PRIVATE LIMITED**

Plot No. 4, Door No. 220, Mount - Poonamallee Road, Kattupakkam, Chennai – 600 056, India  
Phone: +91 (0) 44-2679-1411 · Fax: +91 (0) 44-2679-1422 · E-mail: sales.india@ringfeder.com · E-mail: sales.india@gerwah.com

#### **KUNSHAN RINGFEDER POWER TRANSMISSION COMPANY LIMITED**

German Industry Park, No. 508 Hengguanjing Road, Zhangpu Town 215321, Kunshan City, P.R. China  
Phone: +86 (0) 512-5745-3960 · Fax: +86 (0) 512-5745-3961 · E-mail sales.china@ringfeder.com