

**Inner and outer rotor have to be supported by the customer.  
Separate barrier can on request!**

**Dimensions**

- øA1** = Outer diameter inner rotor
- øA2** = Outer diameter outer rotor
- øB** = Inner diameter outer rotor
- L1** = Length inner rotor
- L2** = Length outer rotor
- S** = Air gap; Other air gap dimensions on request



**Dimensions**

Size	L1	L2	ø A2	ø A1	ø B	S
	Inch	Inch	Inch	Inch	Inch	Inch
12	2.913	3.937	3.858	1.811	2.362	0.276
20	2.283	2.362	4.331	2.795	3.150	0.177
24	3.071	3.661	3.858	2.047	2.362	0.157
50	2.953	2.953	5.709	4.094	4.606	0.256
180	3.937	4.331	6.693	5.098	5.531	0.217

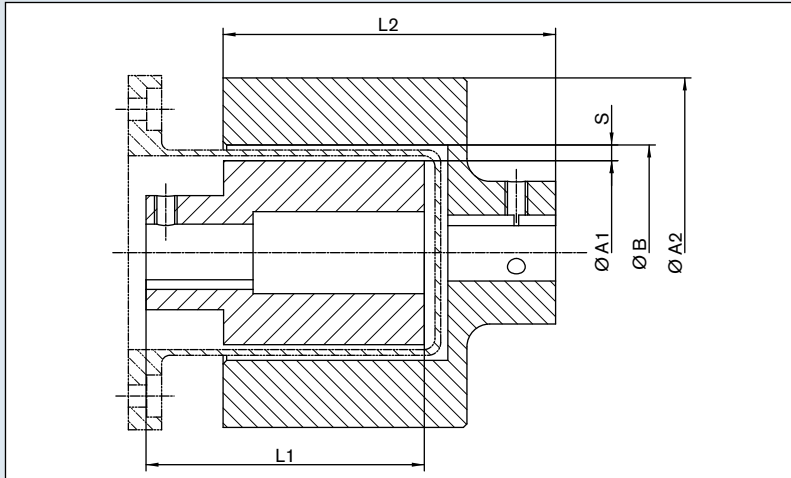
Listed versions are examples for customized solutions.  
We can design your MKS coupling according to your requirements and will be happy to advise you.

**Ordering example:  
MKS**

Series	Size	Further details*
MKS	50	XX

\* e.g. stainless, modified torque

# Series MKS



Sectional view

## Technical Data

- M<sub>max</sub>** = Torque; other torque values on request; torque linearly adjustable by rotor insertion depth; specified torque ± 5% tolerance
- T** = Operation temperature
- T<sub>max</sub>** = Max. operation temperature, higher temperatures on request
- V** = Adjustment range

## Technical Data

Size	V Inch	M <sub>max</sub> lb-in	T °F	T <sub>max</sub> temporary °F	Weight Outer rotor lbs	Weight Inner rotor lbs
12	1.575	106	32-248	302	6.0	1.1
20	1.772	177			4.0	3.1
24	1.969	212			6.0	1.5
50	2.362	443			6.4	4.6
180	3.543	1593			11.5	12.1



## Range of applications

- As torque transmission in hermetically sealed containers
- Application as a pump drive



**Weitere technische Hinweise befinden sich im jeweiligen Katalog.**

Alle technischen Daten und Hinweise sind unverbindlich. Rechtsansprüche können daraus nicht abgeleitet werden. Der Anwender ist grundsätzlich verpflichtet zu prüfen, ob die dargestellten Produkte seinen Anforderungen genügen. Änderungen, die dem technischen Fortschritt dienen, behalten wir uns jederzeit vor. Mit Erscheinen dieses Kataloges werden alle älteren Prospekte und Fragebögen zu den gezeigten Produkten ungültig.

**Check out the respective catalogue for further technical details**

*All technical details and information is non-binding and cannot be used as a basis for legal claims. The user is obligated to determine whether the represented products meet his requirements. We reserve the right at all times to carry out modifications in the interests of technical progress. Upon the issue of this catalogue all previous brochures and questionnaires on the products displayed are no longer valid.*

**RINGFEDER POWER TRANSMISSION GMBH**

Werner-Heisenberg-Straße 18, D-64823 Groß-Umstadt, Germany · Phone: +49 (0) 6078 9385-0 · Fax: +49 (0) 6078 9385-100  
E-mail: sales.international@ringfeder.com · E-mail: sales.international@gerwah.com

**RINGFEDER POWER TRANSMISSION USA CORPORATION**

165 Carver Avenue, P.O. Box 691 Westwood, NJ 07675, USA · Toll Free: +1 888 746-4333 · Phone: +1 201 666 3320  
Fax: +1 201 664 6053 · E-mail: sales.usa@ringfeder.com · E-mail: sales.usa@gerwah.com

**RINGFEDER POWER TRANSMISSION INDIA PRIVATE LIMITED**

Plot No. 4, Door No. 220, Mount - Poonamallee Road, Kattupakkam, Chennai – 600 056, India  
Phone: +91 (0) 44-2679-1411 · Fax: +91 (0) 44-2679-1422 · E-mail: sales.india@ringfeder.com · E-mail: sales.india@gerwah.com

**KUNSHAN RINGFEDER POWER TRANSMISSION COMPANY LIMITED**

German Industry Park, No. 508 Hengguanjing Road, Zhangpu Town 215321, Kunshan City, P.R. China  
Phone: +86 (0) 512-5745-3960 · Fax: +86 (0) 512-5745-3961 · E-mail sales.china@ringfeder.com